

LED.CO.UK

HAZX PORTABLE
HAZARDOUS AREA RANGE



ABOUT US

LED.CO.UK is an International supplier of LED lighting technology specialising in complete energy efficient lighting solutions for both new and retrofit applications.

We provide the highest quality LED based products by integrating premium components to insure reliability and optimum performance.

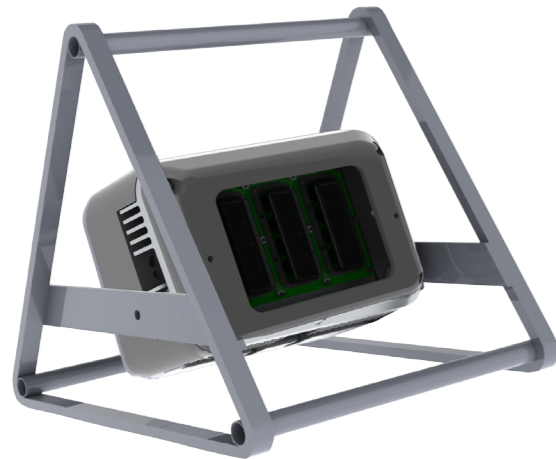
Our service delivers a full bespoke package from site surveys and lighting design to installation.

HAZX HAZARDOUS AREA LIGHTING RANGE

The HAZX range is designed specifically for hazardous environments which require high performance, high reliability, White-Light illumination. Housed in Marine Grade aluminium with a toughened glass window, and using our field-proven, long-life LED technology, our Floodlights are ATEX and IEC Ex approved for all Zone 1 and Zone 2 applications and rated for T4, T5 and T6 environments/locations. Available in both standard and emergency versions.



HAZX P-12 PORTABLE UNIT

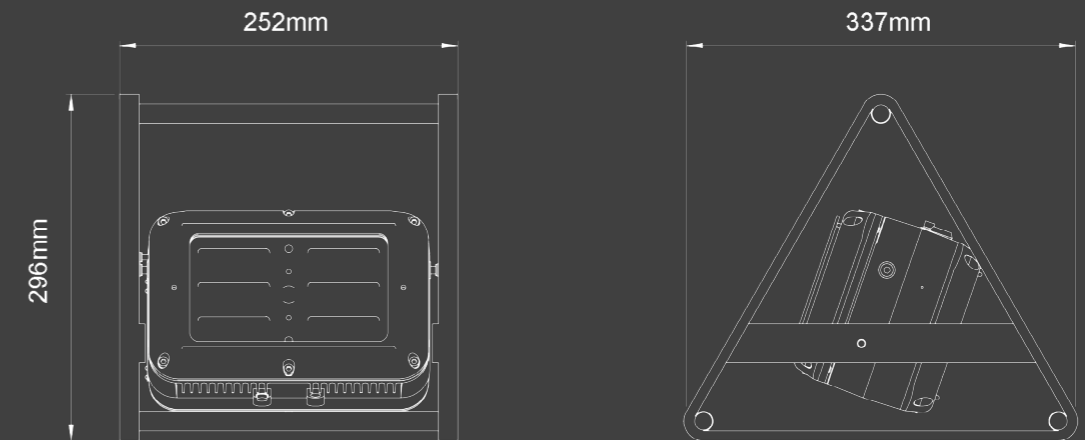


- ATEX & IEC EX approved - Zone 1 & 2
- Portable
- Ultra long life LED
- High Lumen output LED
- Easy installation, maintenance and inspection
- Integral photocell (optional)
- 5 year warranty
- Holographic lens technology – easy modification of beam patterns

Our HAZX P-12 is available in a variety of different beam patterns, both circular and elliptical, to suit any application. The circular beam patterns maximise light output, while the elliptical beam patterns use revolutionary holographic lens technology to shape the light providing greater illumination distances with significantly reduced energy wastage. The holographic beam patterns can easily be modified – offering ultimate flexibility to specifiers, distributors and end-users.

HAZX P-12 has been designed from the ground up for easy installation, easy maintenance, easy inspection, and long life performance. Our thermal management technology, ensures a much cooler LED operating temperature allowing the product to operate for >10 years. A unique, maintenance-friendly design allows quick and easy servicing and inspection of all key components including LED and PSU modules if required.

HAZX P-12 delivers high performance illumination of up to 2,250 lumens and is also available as an emergency fitting with integral battery back-up. Transportable Floods are supplied complete with mounting frame and the type/length of cable and preferred ATEX IEC Ex plug can be specified by the end user so that the unit can be supplied ready for use.



Technical Specifications

Dimensions	252mm x 296mm x 337mm
Weight	Approx 6kg (13lbs)
Beam Patterns (Circular)	10°x 10° or 30°x 30° or 50°x 50° or 120°x 120°
Beam Patterns (Elliptical)	35°x 10° or 60°x 25° or 80°x 30° or 120°x 50°
Input	110 -254V 50/60Hz AC only
LED Type	Platinum SMT LEDs
Power	30W standard
LED Quantity	12pcs
Lumen Output on Mains	2,250 lm – circular beam patterns, 2,000 lm – elliptical beam patterns
Color Temperature (CCT)	Approx. 6,000K (others available upon request)
Color Rendering Index (CRI)	Ra>70
Efficacy	upto 75 ll/cW
IP Rating	IP67
Warranty	5 Years
Certification	ATEX and IEC Ex rated for Gas and Dust

HAZX P-12 PORTABLE UNIT

HAZX 12 Portable Unit

Wattage
30W

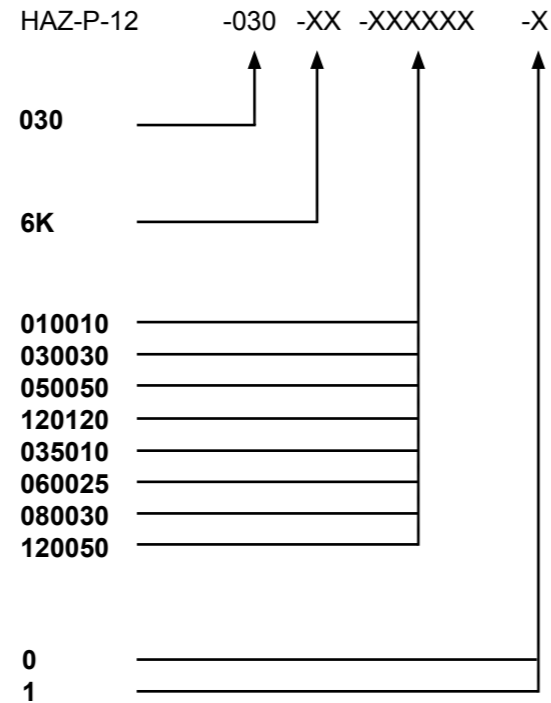
Colour
6000K

Beam Angle

- Fine (10° Beam)
- Narrow (30° Beam)
- Medium (50° Beam)
- Wide (120° Beam)
- Elliptical Fine (35° x 10° Beam)
- Elliptical Narrow (60° x 25° Beam)
- Elliptical Medium (80° x 30° Beam)
- Elliptical Wide (120° x 50° Beam)

Photocell

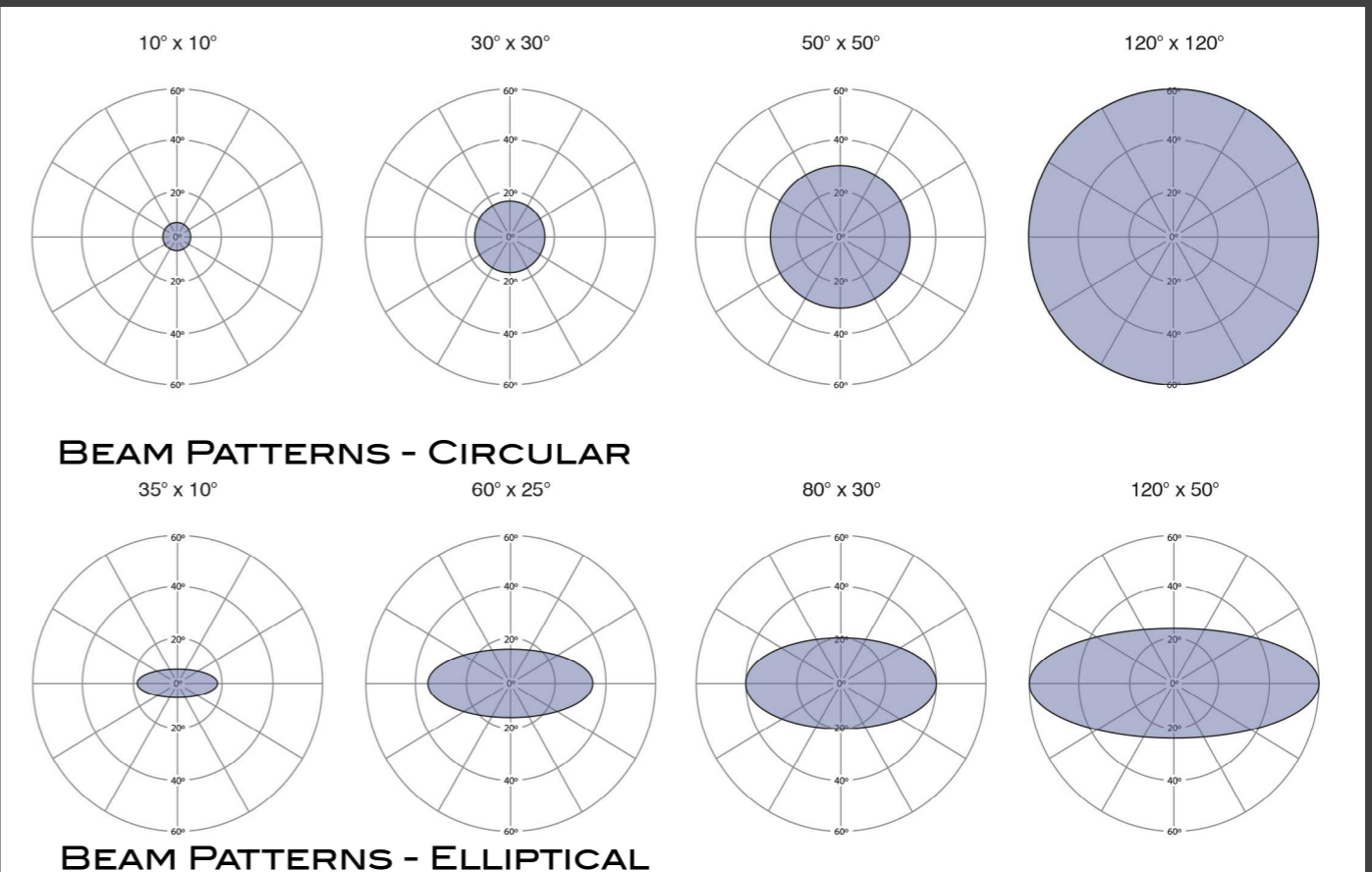
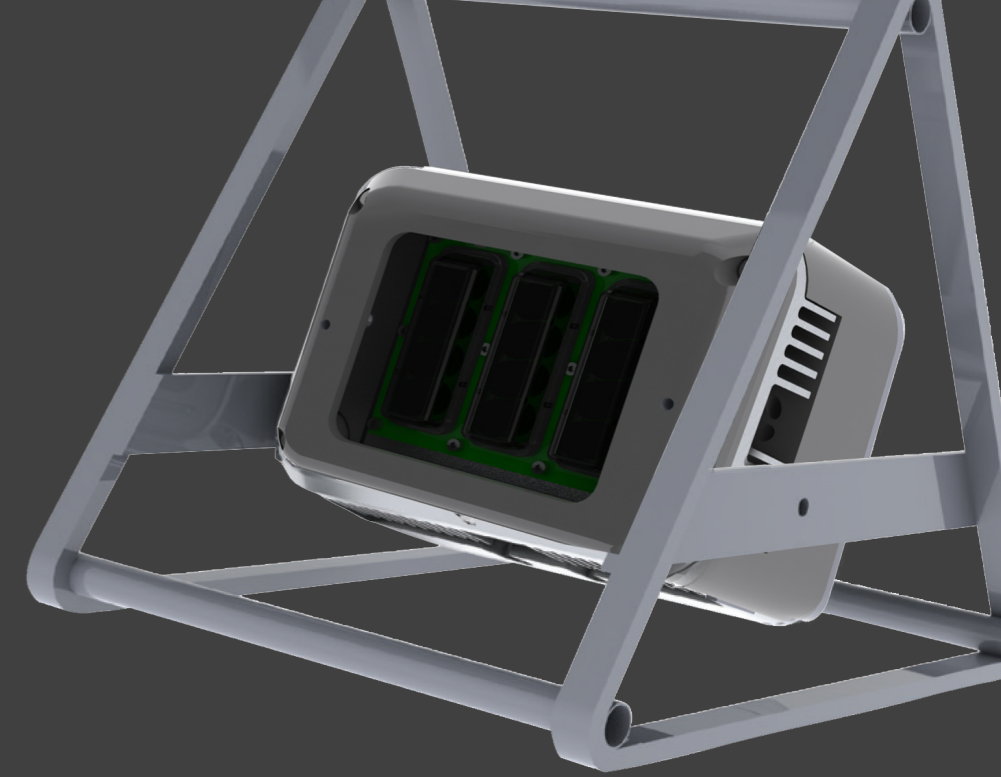
- Not required
- Integral Photocell



Example of Code:

HAZ-P-12-030-6K-010010-0

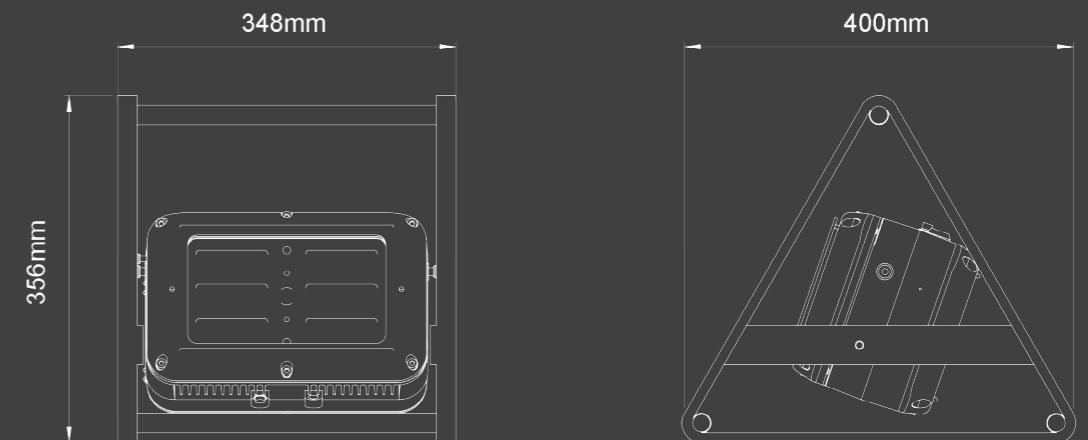
Wattage: 30W
 Colour: 6000K
 Beam Angle: Fine (10° Beam)
 Photocell: Not required



HAZX P-24 PORTABLE UNIT



- ATEX & IEC EX approved - Zone 1 & 2
- Portable
- Ultra long life LED
- High Lumen output LED
- Easy installation, maintenance and inspection
- Emergency variants
- Integral photocell (optional)
- 5 year warranty
- Holographic lens technology – easy modification of beam patterns



Our HAZX P-24 is available in a variety of different beam patterns, both circular and elliptical, to suit any application. The circular beam patterns maximise light output, while the elliptical beam patterns use revolutionary holographic lens technology to shape the light providing greater illumination distances with significantly reduced energy wastage. The holographic beam patterns can easily be modified – offering ultimate flexibility to specifiers, distributors and end-users.

HAZX P-24 has been designed from the ground up for easy installation, easy maintenance, easy inspection, and long life performance. Our thermal management technology, ensures a much cooler LED operating temperature allowing the product to operate for >10 years. A unique, maintenance-friendly design allows quick and easy servicing and inspection of all key components including LED and PSU modules if required.

HAZX P-24 delivers high performance illumination of up to 4,500 lumens and is also available as an emergency fitting with integral battery back-up. Transportable Floods are supplied complete with mounting frame and the type/length of cable and preferred ATEX IEC Ex plug can be specified by the end user so that the unit can be supplied ready for use.

Technical Specifications

Dimensions	348mm x 356mm x 400mm
Weight	11kg (17.6lbs) Standard, 13kg (22lbs) Emergency
Beam Patterns (Circular)	10°x 10° or 30°x 30° or 50°x 50° or 120°x 120°
Beam Patterns (Elliptical)	35°x 10° or 60°x 25° or 80°x 30° or 120°x 50°
Input	110 -254V 50/60Hz AC only
LED Type	Platinum SMT LEDs
Power	60W standard, 65W emergency
LED Quantity	24pcs
Lumen Output on Mains	4,500 lm – circular beam patterns, 4,000 lm – elliptical beam patterns
Color Temperature (CCT)	Approx. 6,000K (others available upon request)
Color Rendering Index (CRI)	Ra>70
Efficacy	upto 75 ll/cW
IP Rating	IP66 & IP67
Warranty	5 Years
Certification	ATEX and IEC Ex rated for Gas and Dust

HAZX P-24 EXP FLOODLIGHT

HAZX 24 Portable Unit

Wattage
60W

Colour
6000K

Beam Angle

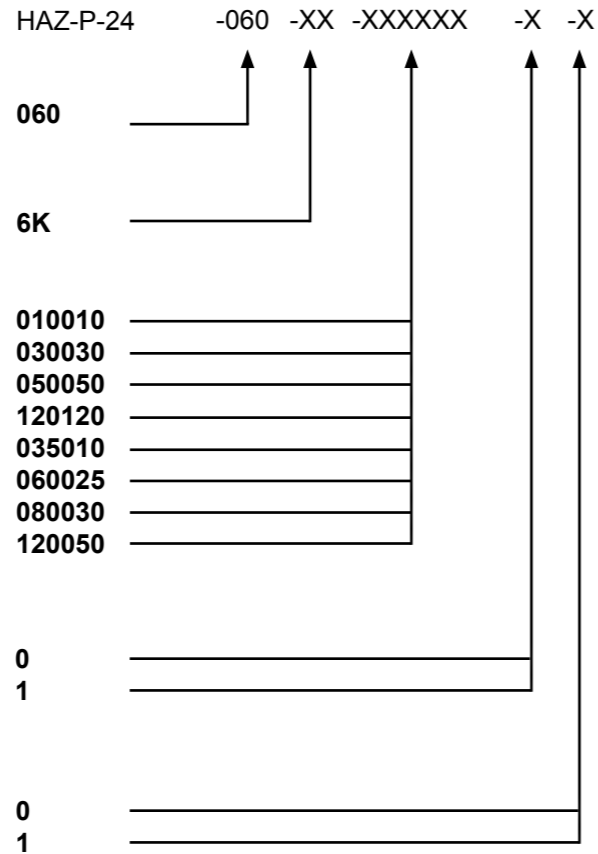
- Fine (10° Beam)
- Narrow (30° Beam)
- Medium (50° Beam)
- Wide (120° Beam)
- Elliptical Fine (35° x 10° Beam)
- Elliptical Narrow (60° x 25° Beam)
- Elliptical Medium (80° x 30° Beam)
- Elliptical Wide (120° x 50° Beam)

Photocell

- Not required
- Integral Photocell

Emergency

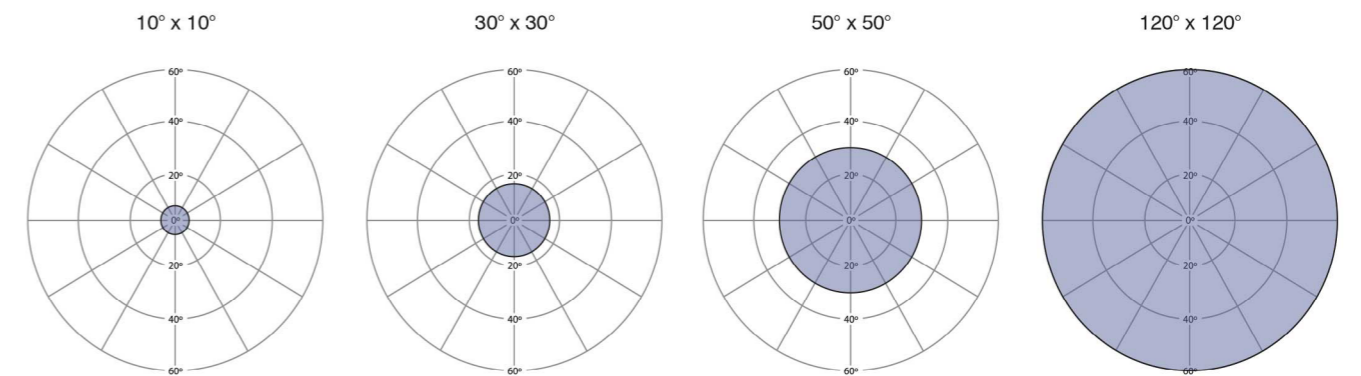
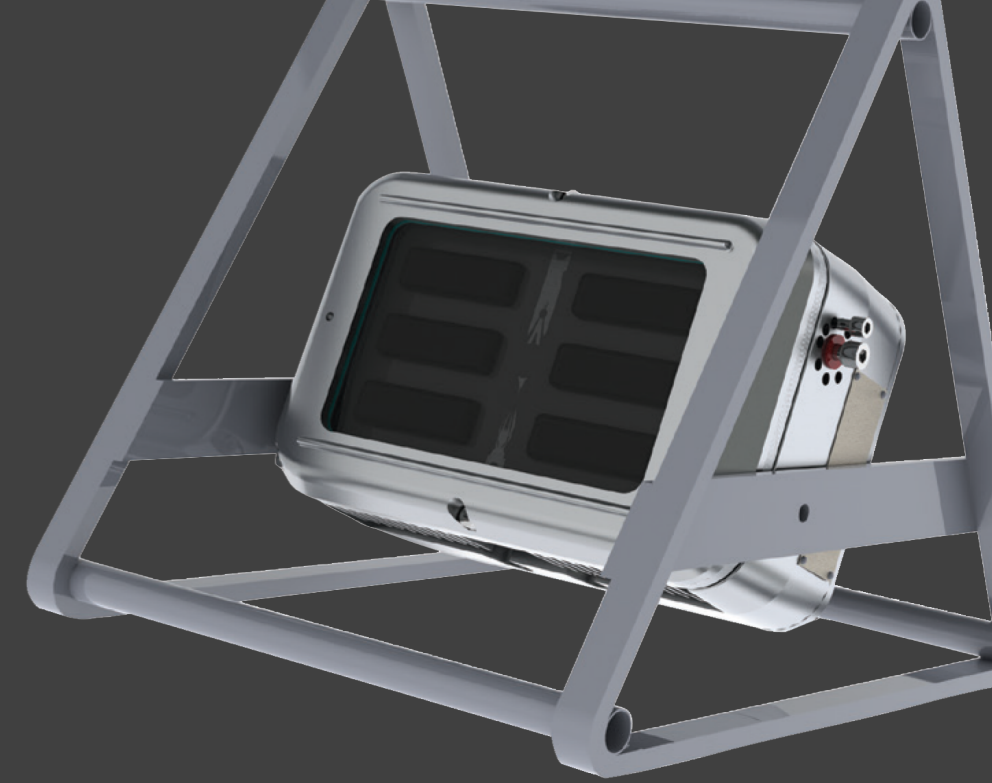
- Not required
- Emergency (3 Hour)



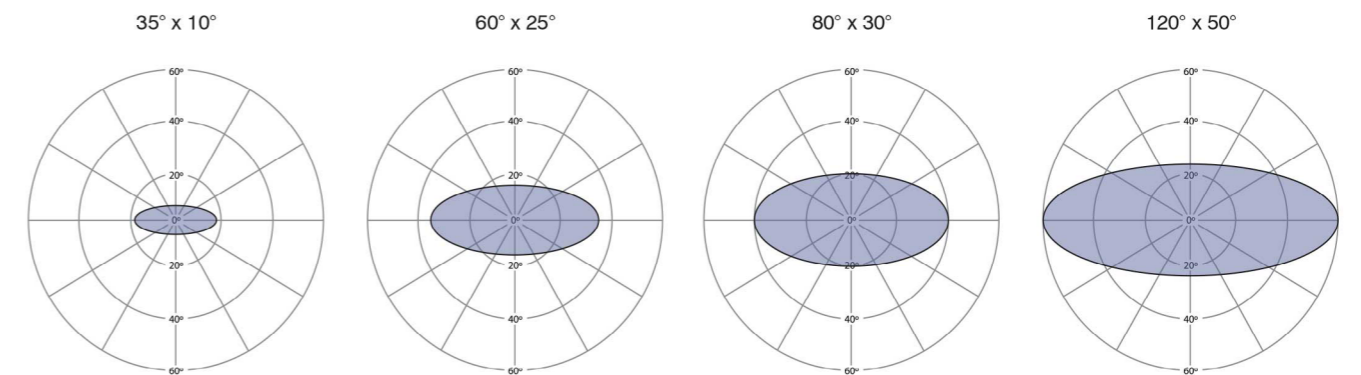
Example of Code:

HAZX-P-24-060-6K-080030-1-0

Wattage: 60W
 Colour: 6000K
 Beam Angle: Elliptical Medium (80° x 30° Beam)
 Photocell: Integral Photocell
 Emergency: Not required



BEAM PATTERNS - CIRCULAR



BEAM PATTERNS - ELLIPTICAL

sales@led.co.uk
www.led.co.uk

LED.CO.UK